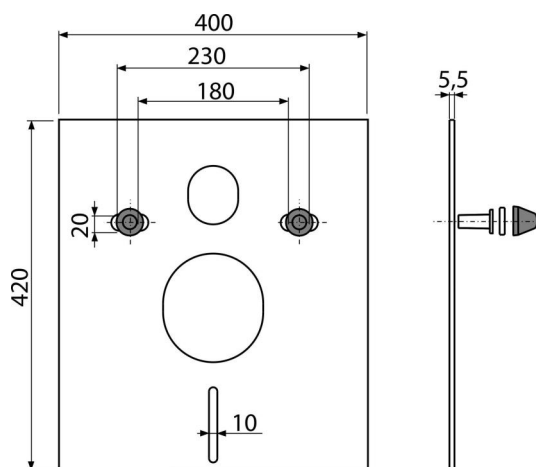
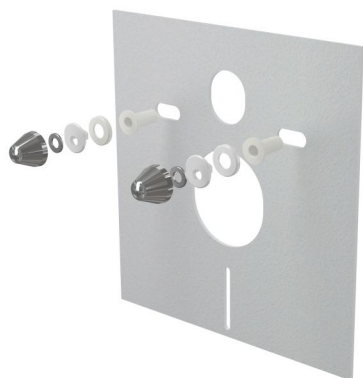


# M930CR

Noise insulation for wall-hung WC and bidets with accessories including cover cap (chrome)



### Application

For mounting ceramics with connecting pitches 180 mm and 230 mm  
To compensate the inequalities between the ceramics and the tiles  
For WC and wall-hung bidet

### Features

- No memory effect
- Simply trimable to the shape of the used ceramics
- Material: XLPE
- Interrupts the transmission of vibrations between the wall and the ceramics

### Scope of supply

- Chrome cap 2 pcs
- Insulation board
- Washer for insulation boards 2 pcs
- Nut washer 2 pcs
- Insulation board insert 2 pcs

### Order number, Logistic information

Code	EAN	Weight (piece   packing   palett)	Dimensions (piece   packing)	Quantity (packing   palett)
M930CR	8595580503048	0,21   10,64   190,2 kg	420x400x5,5   590x430x390 mm	50   800 pcs

**Warranty**  
2/2 years \*