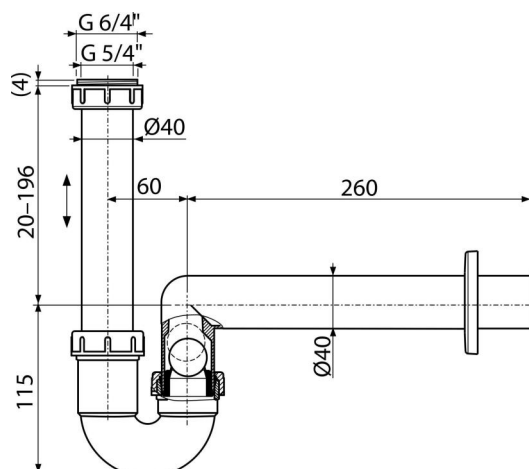


AKS3

Tubular trap for dripping condensate DN 40 with G 6/4" / G 5/4" union nut



Application

To capture the dripping condensation

Features

- Combined odour trap with a ball
- Material: polypropylene
- Connection to waste pipe Ø40 mm

Scope of supply

- Reduction 6/4", 5/4"
- Plastic rosette
- Waste and trap body with a combined odour trap

Order number, Logistic information

Code	EAN	Weight (piece packing palett)	Dimensions (piece packing)	Quantity (packing palett)
AKS3	8595580515201	0,29 4,28 139,7 kg	290x80x190 595x245x395 mm	15 420 pcs

Warranty

2/3 years *

Norms

EN 274

Technical specifications

- Flow with collar 38,4 l/min
- Thermal resistance 95 °C
- Odour trap 64 mm