

AGV1S

Rain drum 300×155/110 mm straight outlet, grey

Application

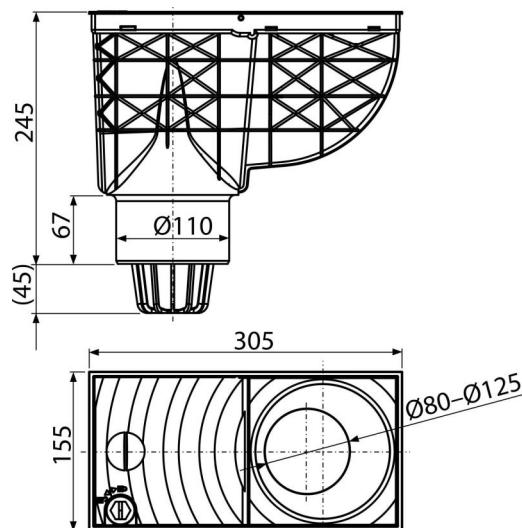
For installation outside buildings
 For draining the rainwater and surface water to sewerage system
 For connecting gutter downspouts

Features

- Color: gray
- Limits the transmission of the odours from the sewer
- Eccentric rings for connecting the gutter downspouts 80, 90, 100, 110 and 125 mm
- Material: polypropylene enriched with glass fiber – resistant to mechanical, chemical and thermal damage
- Option to buy a stainless steel basket against the invasion of rodents from the waste
- Option to buy a universal insert for round and square gutter downspouts
- Plastic basket can be easily removed and cleaned
- After installation in the interlocking pavement, the visible parts of the rain drum can be swapped for parts in black colour
- Direct connection to waste – 110 mm
- Steeper gradient of the rain drum body enables a faster and bigger water flow towards the sewer
- Dry odour trap
- The lock prevents unintentional opening of the lid, overflow of water during heavy rains

Scope of supply

- The flap limiting the transmission of the odours from the sewer
- Basket for catching dirt and leaves
- Set of inlet rings for gutter downspouts diameter 80, 90, 100, 110, 125 mm
- Drain body DN110 mm straight outlet
- Lid with lock



Order number, Logistic information

Code	EAN	Weight (piece packing palett)	Dimensions (piece packing)	Quantity (packing palett)
AGV1S	8595580519254	1,09 5,46 107,3 kg	315×265×165 545×335×440 mm	5 80 pcs

Warranty

2/6 years *

Norms

EN 1253, EN 1451

Technical specifications

- Flow rate 420 l/min