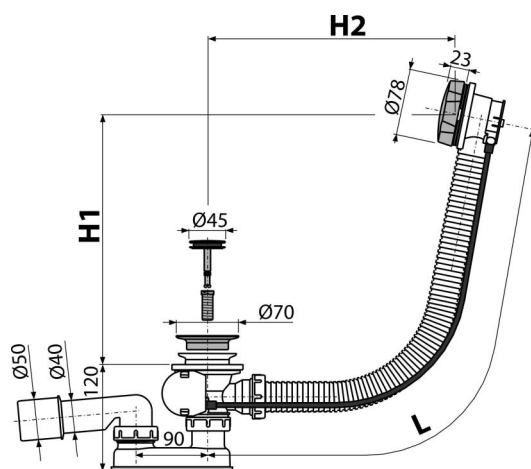


# A55ANTIC-80

Bath pop-up waste and trap, length 80 cm, metal, bronze-antic



## Application

To drain the water from the bath to the waste  
For standard size bathtubs  
For bathtubs with drain outlet Ø52 mm

## Features

- Bath waste and overflow system
- Wet odour trap with swivel elbow
- Closing waste by pop-up mechanism
- Overflow flexi pipe
- The length of the bathtub trap 80 cm

## Scope of supply

- Waste and trap body with overflow
- Metal control knob with bronze-antic finish
- Metal plug with bronze-antic finish
- Metal outlet grid with bronze-antic finish
- Odour trap of polypropylene, thermally and chemically resistant, longitudinally welded
- Assembly kit
- Profiled seal

## Order number, Logistic information

Code	EAN	Weight (piece   packing   palett)	Dimensions (piece   packing)	Quantity (packing   palett)
A55ANTIC-80	8595580528485	80 mm 0,86   17,16   294,5 kg	380×85×145   595×435×395 mm	20   320 pcs

## Warranty

2/3 years \*

## Norms

EN 274

## Technical specifications

- Odour trap 50 mm
- Flow rate 51,6 l/min
- Overflow flow rate 42 l/min
- Resistance of odour trap against the pressure 588 Pa
- Thermal resistance 95 °C