

APZ11-750M Antivandal

Shower drain Antivandal with grid

Application

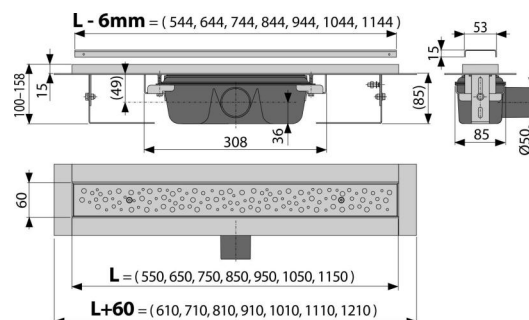
- For indoor use
- For public areas
- For installation into open spaces or near the wall of the shower area
- For drainage of floor-level showers
- For wheelchair access

Features

- Stainless steel shower drain (perfectly smooth and durable surface thanks to special surface treatment)
- Grid BUBLE is attached to the drain body using screws so that it can not be removed without special tools
- Installation height from 85 mm
- Adjustable height
- Trap firmly connected to the drain – 100% waterproofing
- Self-adhesive tape for quality waterproofing
- Mechanically cleanable trap up to the waste pipe
- The collar and trap are protected by foil, and the channel itself by a polystyrene insert
- The high flow rate is achieved due to the double compartment trap system
- Possibility to buy a combined odour trap
- Grid is included in packaging
- 25 years guarantee
- Shower drain material: stainless steel 2 mm, AISI 304, DIN 1.4301
- Trap material: polypropylene

Scope of supply

- The shower drain is assembled with the odour trap
- Fixation set: screws $\text{Ø}6 \times 50$ – 2 pcs, dowels $\text{Ø}10$ – 2 pcs
- Self-adhesive waterproofing tape
- Protective foil covering for the drain edges and odour trap
- Protective film for trap inlet
- Perforated stainless steel grid BUBLE



Order number, Logistic information

Code	EAN	Weight (piece packing palett)	Dimensions (piece packing)	Quantity (packing palett)
APZ11-750M	8595580529901	750 mm 4,01 48,06 164,2 kg	820×135×170 825×375×830 mm	12 36 pcs
Warranty 2/25 years *	Norms EN 1253			

Technical specifications

- Odour trap 50 mm
- Flow rate 60 l/min
- Resistance of odour trap against the pressure 982 Pa
- Waste pipe diameter 50 mm
- Minimum thickness of concrete 85 mm
- Total installation height 100-158 mm
- Load class K3 300 kg