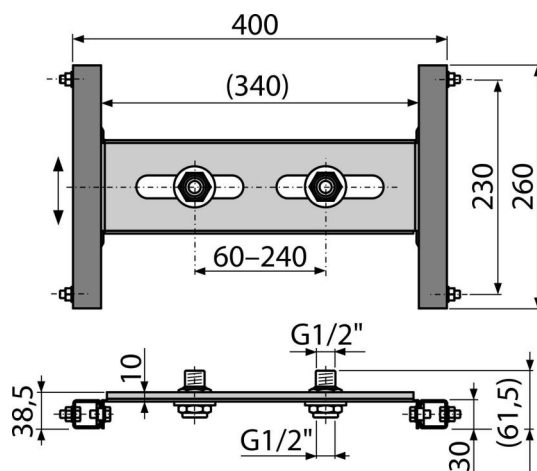


# A117B

## Mounting frame for faucet in plasterboard structure



### Application

For installation in plasterboard structures  
For installation wall mounted faucet

### Features

- Mounting frame
- Height-adjustable crossbar
- Swivel rail for attaching wall fittings with a pitch of 60–240 mm
- Material: powder-coated metal

### Scope of supply

- Mounting frame
- DG transition G1/2" – 2 pcs

### Order number, Logistic information

Code	EAN	Weight (piece   packing   palett)	Dimensions (piece   packing)	Quantity (packing   palett)
A117B	8595580547714	1,91   38,22   325,7 kg	370×80×140   595×395×435 mm	20   160 pcs

### Warranty

2/15 years \*

### Norms

EN 200

### Technical specifications

- Connection fittings G1/2 "