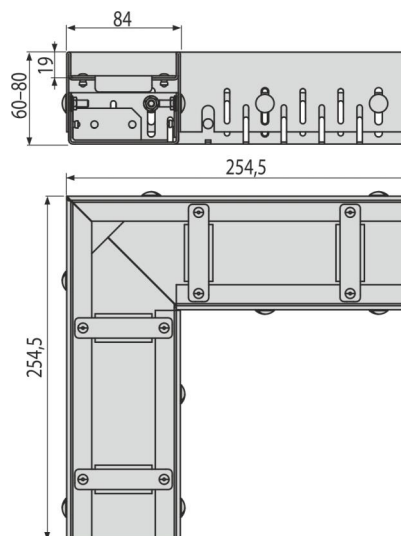
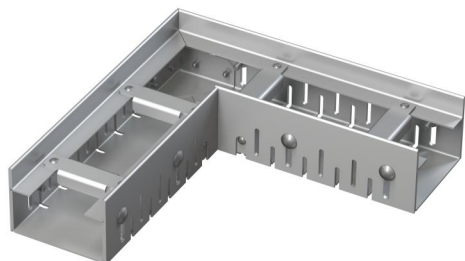


# ADZ301VR

Drainage corner channel 75 mm adjustable, stainless steel



### Application

- To protect buildings against the ingress of water
- For drainage of balconies and terraces
- For drainage around the building facades
- For permeable areas in the garden

### Features

- Fixing bolts – ensure perfect attachment of the grid in the channel and eliminate the sound effect during the use of the channel
- Simple installation
- Simple connection thanks to the accessories
- Material of drainage channel: stainless steel AISI 304, DIN 1.4301
- Stainless steel grid width 75 mm
- Easy access to the drain – easy to clean
- Height adjustable drainage channel body 60–80 mm

### Scope of supply

- Spacer 4 pcs
- Drainage channel adjustable

### Order number, Logistic information

Code	EAN	Weight (piece   packing   palett)	Dimensions (piece   packing)	Quantity (packing   palett)
ADZ301VR	8595580554958	1,81   1,81   201,2 kg	254,5x254,5x60   mm	1   100 pcs

### Warranty

2/25 years \*

### Technical specifications

- Load class K3 300 kg