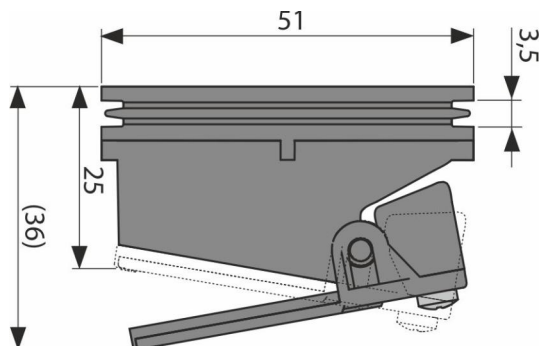


# P143

Combined odour trap SMART for APZ-S6



### Application

For areas that are expected to have low usage of the shower enclosure  
For trap APZ-S6 and floor drain APV110

### Features

- Material: polypropylene resistant to mechanical, chemical and thermal damage
- Mechanical closure and the water column prevent the penetration of odours from the sewer

### Order number, Logistic information

Code	EAN	Weight (piece   packing   palett)	Dimensions (piece   packing)	Quantity (packing   palett)
P143	8595580562298	0,03   0,03   - kg	51x51x36   - mm	1   - pc

### Warranty

2/2 years \*