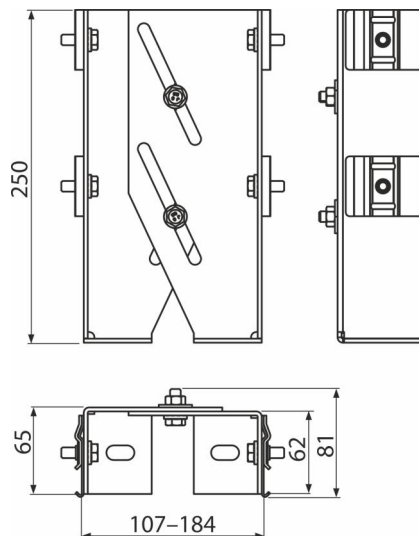


# AS-P041

## Anchoring flap



### Application

For ALCASYSTEM construction  
To stabilize the Alcasystem constructure

### Features

- Material: galvanized steel

### Scope of supply

- Anchoring flap – 1 pc

### Order number, Logistic information

Code	EAN	Weight (piece   packing   palett)	Dimensions (piece   packing)	Quantity (packing   palett)
AS-P041	8595580574239	2,11   10,54   - kg	250x107x81   - mm	5   - pc

### Warranty

2/6 years \*