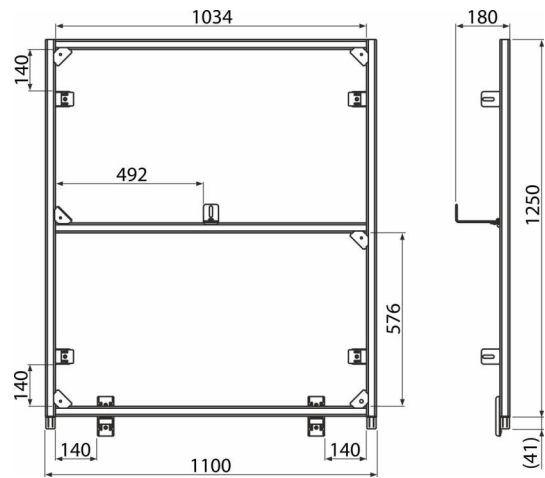


# AS101-SET02

System wall



Order number, Logistic information

Code	EAN	Weight (piece   packing   palett)	Dimensions (piece   packing)	Quantity (packing   palett)
AS101-SET02	8595580581404	10,46   -   - kg	1260×140×120   mm	1   pc